

Front Mount Exterior (FME) Transponder Roof Mounting Instructions for trucks and buses



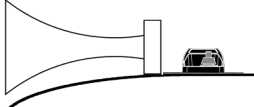

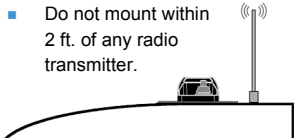
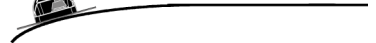
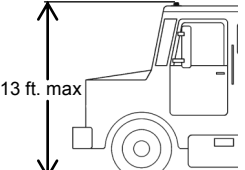

The FME transponder is recommended for trucks, buses, coaches, RVs, and other classes of large commercial vehicles. FME transponders programmed for Rooftop mount on the roof of the vehicle only.

Requirements

- For reliable operation of the transponder, the vehicle must be equipped with only one correctly mounted transponder while passing through a toll facility. Other transponders present in or on the vehicle must be switched off or enclosed in an RF shield.
- FME transponders must be mounted in the location for which they were programmed. FME transponders programmed for License Plate must be mounted on the front of the vehicle. FME transponders programmed for Rooftop must be mounted on the roof of the vehicle.
- The mounting location must provide direct line-of-sight communication between the transponder and the toll facility's overhead antenna.
- FME transponders cannot be used where local regulations prohibit externally mounting transponders on the roof of the vehicle.
- Apply the 3M™ VHB™ acrylic foam tape that is on the back of the mounting plate in accordance with 3M™ document 70-0704-8701-5.

FME Roof Mounting Instructions

Select a mounting location within 4 in. of the centerline (as measured from the right and left sides of the vehicle). Consider the following criteria:

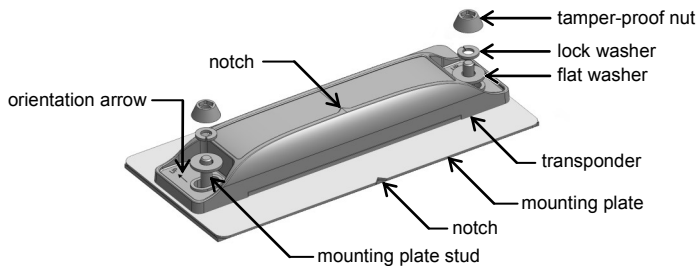
- Do not mount behind horns, lights, or other metal objects.
 
- Do not mount within 6 in. of any metal object (trailer, decals, horn, lights, or metallic paint-cover surfaces).
 
- Do not mount within 2 ft. of any radio transmitter.
 
- Do not mount on a slope (+/- 5 deg.)
 
- Do not mount more than 13 ft. above roadway.
 
- A non-metal air dam may cover the transponder provided that no metallic paint or metal foil decals cover the dam.
 

If securing the transponder WITH the mounting plate:

1. The back of the mounting plate is covered with 3M™ VHB™ acrylic foam tape. Prepare the mounting location in accordance with 3M™ document 70-0704-8701-5.

NOTE: Ensure the mounting plate is installed on the vehicle so that when the transponder is installed on the mounting plate, the orientation arrows on the transponder point in the direction of forward travel.

2. Remove the protective backing from the adhesive on the back of the mounting plate and firmly press the mounting plate against the mounting surface with either a roller or platen pressure, maintaining pressure for 15 seconds to ensure a good bond.
3. Using the supplied tamper-proof nuts, lock washers, and flat washers, secure the transponder to the mounting plate with the notches on the transponder and mounting plate aligned and with the orientation arrows on the transponder pointing in the direction of forward travel.

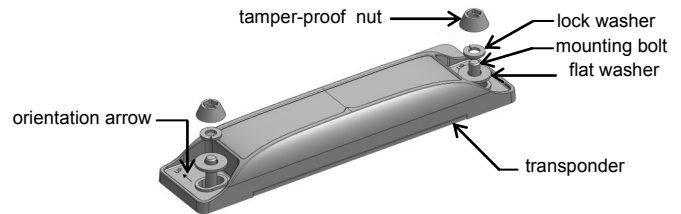


FME Transponder with Mounting Plate

If securing the transponder WITHOUT the mounting plate:

NOTE: The transponder mounting holes must be used when securing the transponder to the roof of the vehicle using this method.

1. Place the transponder in the selected mounting location. Using the transponder mounting holes as a guide, mark the locations on the roof through which the mounting bolts will pass. Remove the transponder.
2. Drill a mounting bolt hole at both locations marked in step 1.
3. Using two, 1/4-in.-diameter stainless steel mounting bolts of sufficient length, two tamper-proof nuts, two lock washers, and two stainless steel flat washers, secure the transponder to the roof of the vehicle with the orientation arrows on the transponder pointing in the direction of forward travel.
4. Apply sealant to the mounting bolts and mounting location as necessary.



FME Transponder without Mounting Plate

REINVENTING THE ROAD®